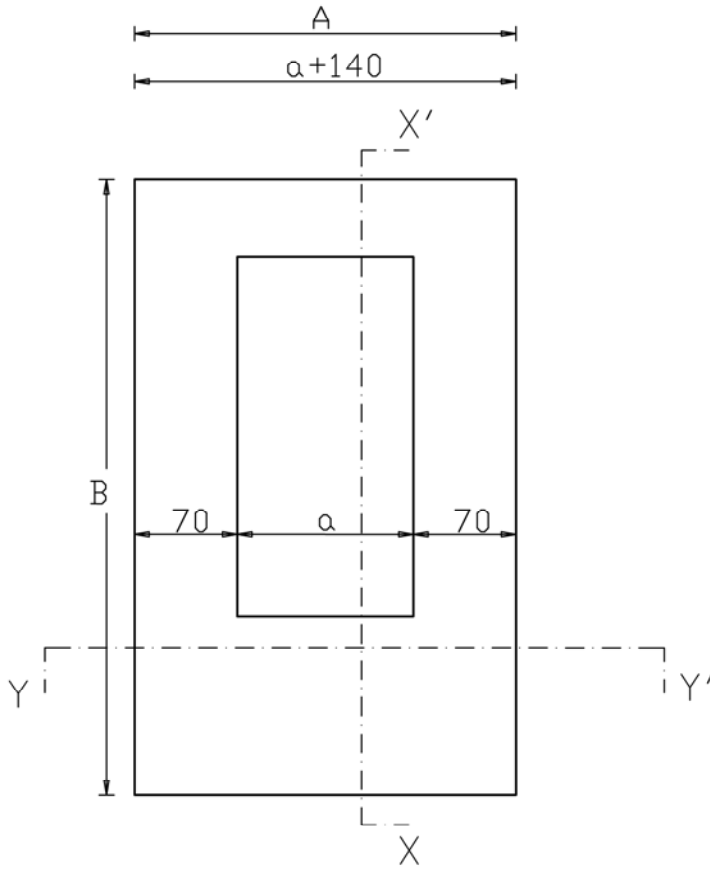
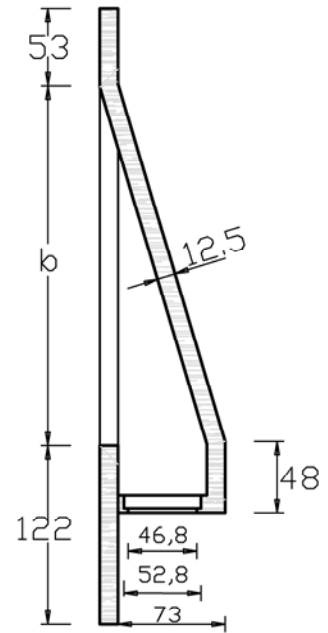


SINGLE RECESSED WALL LIGHT FIXTURE – U 75

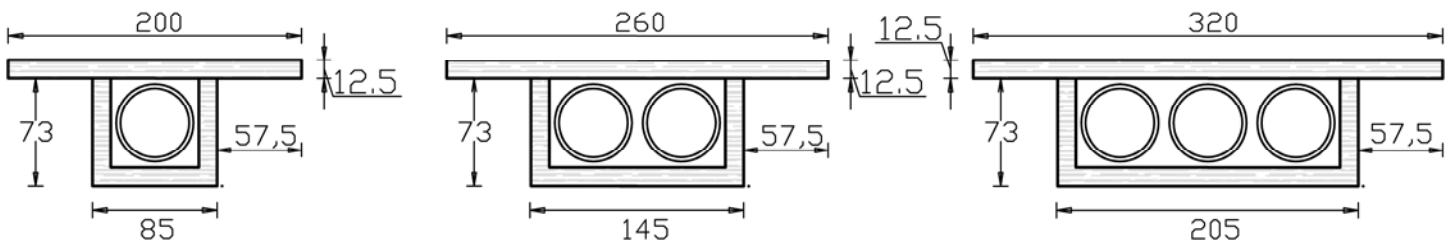
Dimensions in millimeters.



FRONT VIEW



SECTION X-X'



SECTION Y-Y'

Ware	A	B	a	b	n.Spotlight
Plaf.Par.AA.01.060x245	200	420	60	245	1
Plaf.Par.AA.02.120x245	260	420	120	245	2
Plaf.Par.AA.03.180x245	320	420	180	245	3

Internet: www.gyps.it

info@gyps.it

Registered Office: Gyps srl – via Flaminia, 171 – 47923 Rimini (RN) – P. IVA e C.F. 07491030966

Headquarters: Gyps srl – via Pomposa, 53 – 47924 Rimini (RN) – Tel.(+39) 0541 791821 – Fax (+39) 0541 795000