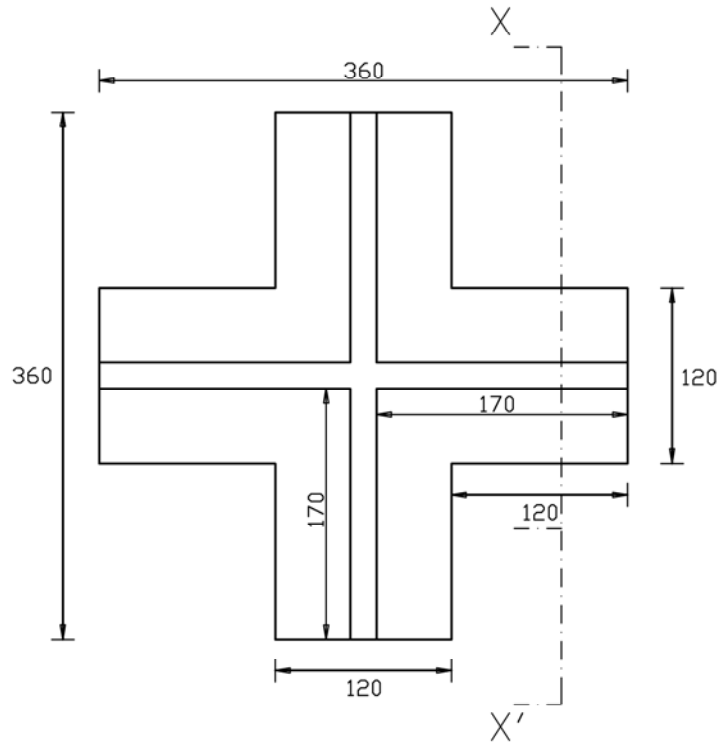
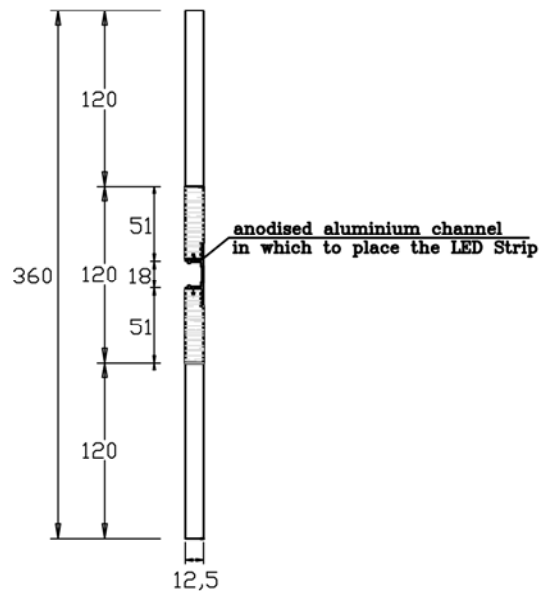


LIGHTING CUT "X" CONNECTION

Dimensions in millimeters.



FRONT VIEW



SECTION X-X'