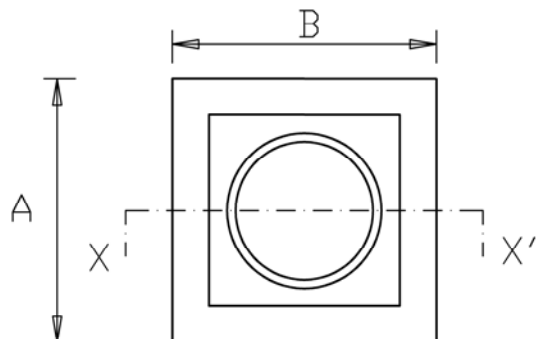
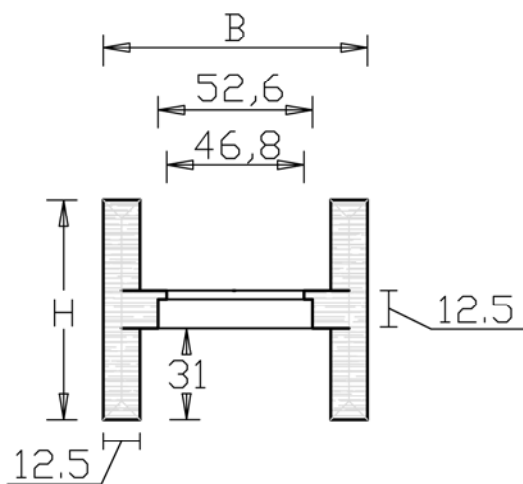


SINGLE LED CUBES 90°

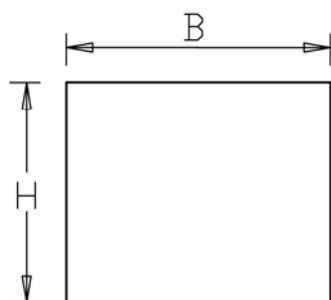
Dimensions in millimeters.



FRONT VIEW



SECTION X-X'



FRONT

Ware	A	B	H	n.Spotlight
Cub.AA.01.90x90-043-D	90	90	43	1
Cub.AA.01.90x90-075-D	90	90	75	1
Cub.AA.01.90x90-120-D	90	90	120	1
Cub.AA.01.90x90-150-D	90	90	150	1

Internet: www.gyps.it

info@gyps.it

Registered Office: Gyps srl - via Flaminia, 171 - 47923 Rimini (RN) - P. IVA e C.F. 07491030966

Headquarters: Gyps srl - via Pomposa, 53 - 47924 Rimini (RN) - Tel.(+39) 0541 791821 - Fax (+39) 0541 795000