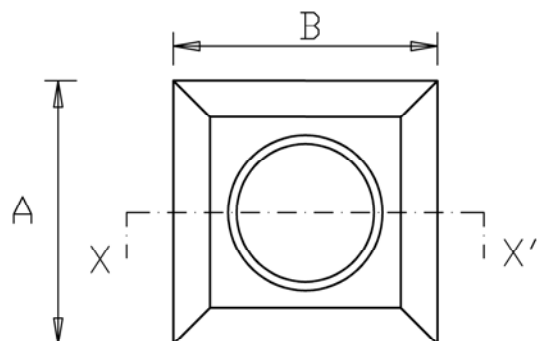
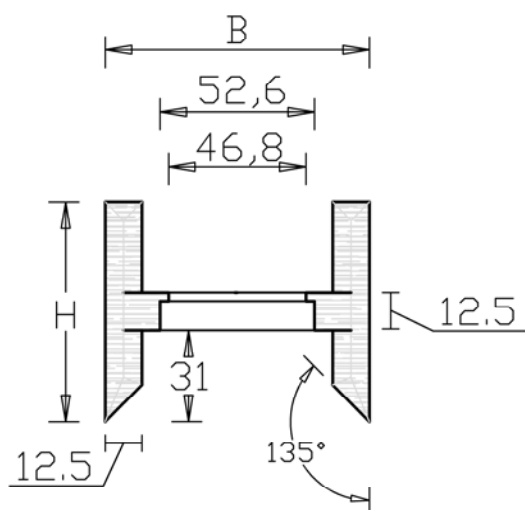


SINGLE LED CUBES 135°

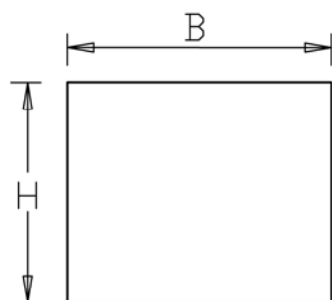
Dimensions in millimeters.



FRONT VIEW



SECTION X-X'



FRONT

Ware	A	B	H	n.Spotlight
Cub.AB.01.90x90-043-I	90	90	43	1
Cub.AB.01.90x90-075-I	90	90	75	1
Cub.AB.01.90x90-120-I	90	90	120	1
Cub.AB.01.90x90-150-I	90	90	150	1

Internet: www.gyps.it

info@gyps.it

Registered Office: Gyps srl - via Flaminia, 171 - 47923 Rimini (RN) - P. IVA e C.F. 07491030966

Headquarters: Gyps srl - via Pomposa, 53 - 47924 Rimini (RN) - Tel.(+39) 0541 791821 - Fax (+39) 0541 795000